

Datasheet

Available Model

- E216 Series
- E416 Series
- A416 Series

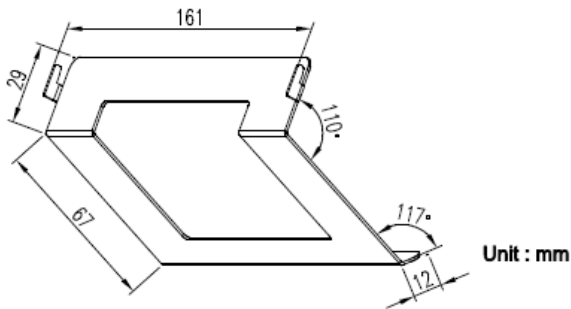
DNAKE Desktop Stand



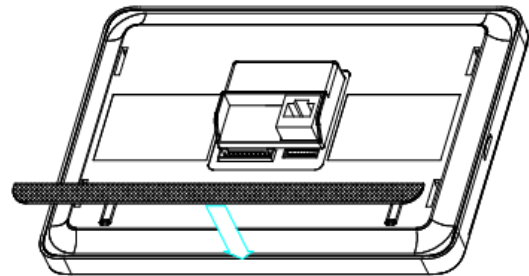
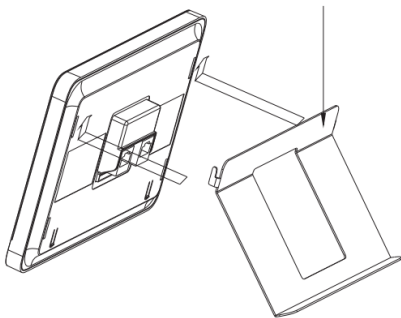
Physical

- Material: SPCC
- Working Temperature: -10°C to +55°C
- Working Humidity: 10% to 90% (non-condensing)
- Dimension: 161mm x 85.3mm x 28 mm

Dimension & Installation



Assemble the hooks on two sides of the bracket into the groove on the rear cover of the monitor.



Align the edge of the silicone non-slip mat to the back of Indoor Monitor.

