

**DOOR STATION**

**MODEL: C112**



**REMARK**

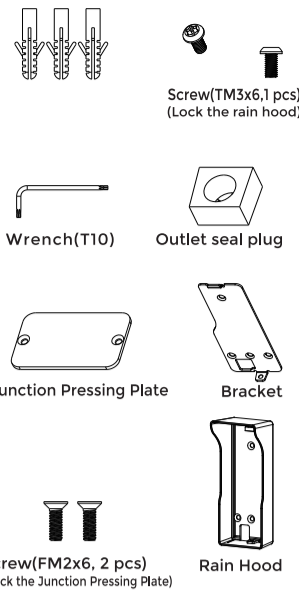
Please follow the user manual for correct installation and testing. If there is any doubt please call our tech-supporting and customer center. Our company applies ourselves to reformation and innovation of our products. No extra notice for any change. The illustration shown here is only for reference. If there is any difference, please take the actual product as the standard. The product and batteries must be handled separately from household waste. When the product reaches the end of service life and needs to be discarded, please contact the local administrative department and put it in the designated collection points in order to avoid the damage to the environment and human health caused by any disposal. We encourage recycling and reusing the material resources.

For specific operation instructions, please scan the following QR code to obtain the full version of the User Manual.

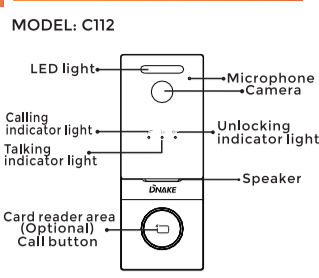


**PACKAGE CONTENTS**

Please make sure the package contains the following items:



**PICTURES**

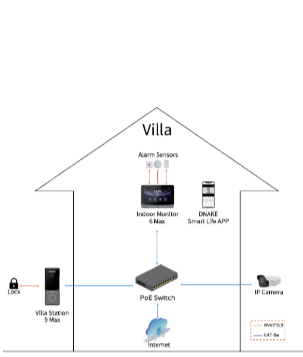


**Note:**  
**Calling indicator light:** The 1st indicator light will be turned on if the calling button is pressed.  
**Talking indicator light:** The 2nd indicator light will be turned on if the call is picked up or Door Station is monitored.  
**Unlocking indicator light:** The 3rd indicator light will be turned on for 3s when the door is opened.  
**Relay Outputs:** Support 1 relay output.

**BASIC OPERATION**

- 1. Call indoor monitor**  
In standby mode, press the call button on door station to call indoor monitor. During the call, press the call button on door station again to end the call. If the call fails or indoor monitor is busy, door station will emit a beep.
- 2. Unlocking by card(Optional)**  
Put the registered IC card on card reader area of the door station. If IC card has been authorized, after unlocking the door by card, the system will issue a ringtone and indicator light is on for 3 seconds, otherwise it will emit a beep.

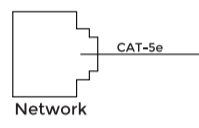
**SYSTEM DIAGRAM**



**DEVICE WIRING**

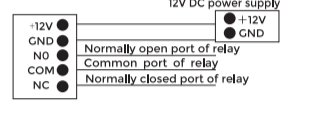
TF CARD		Network (PoE) / RJ45	
1 +12V	1 INPUT1	1	NO
2 GND	2 INPUT2	2	+5V
3 NO	3 +5V	3	WDD
4 COM	4 WDD	4	WDI
5 NC	5 WDI	5	GND
	6 GND	6	485-
	7 485-	7	485+
	8 485+	8	

**1. Network (PoE) / RJ45 (Non-standard PoE)**  
Standard RJ45 interface is for the connection with PoE switch or other network switch. PSE shall comply with IEEE 802.3af (PoE) and its output power not less than 15.4W and its output voltage not be less than 50V. RJ45 can be selected as non-standard PoE, which can be directly connected to the non-standard PoE network port of the indoor monitor.



**2. Power/Switching value output**

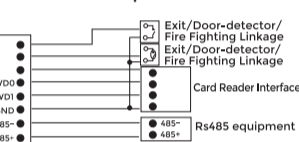
- Connect power interface of door station to 12V DC power.
- Switching value output connects with electric lock. Independent power supply is required for the lock.



**Warning**  
1. When connecting to an inductive load device such as a relay or electromagnetic lock, you are recommended to use a diode 1A/400V (included in the accessories) in anti-parallel with the load device to absorb inductive load voltage peaks. Intercom will be better protected in this way.  
2. The load current of the relay cannot be greater than 1A. See attached picture for more details.

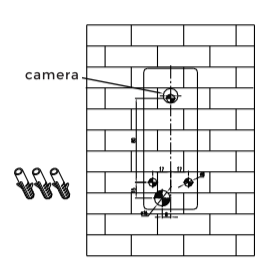
**3. Custom input configuration Interface/Wiegand /RS485**

- The input interface can be configured with various functions, such as the exit button, door status sensor, and fire linkage interface.
- The interface can be connected to one IC/ID card reader or be used for reading the information of built-in card reader. Card swiping device connected to Wiegand interface.
- +5V can power the Wiegand card swiping device, note that the current must not exceed 100mA.
- Enable to connect equipment with RS485 interface. Connect to the lock module (independent power supply is necessary for the lock).
- RS485/Wiegand/TF Card slot/ Card Reader is optional.

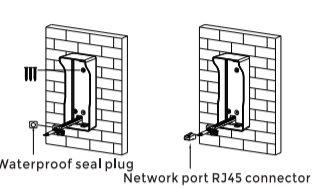


**INSTALLATION**

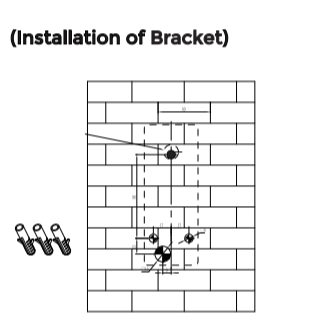
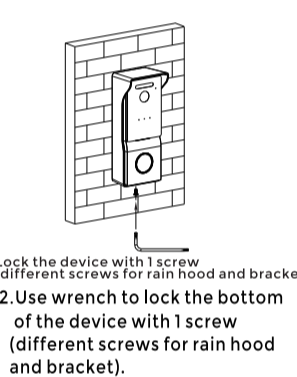
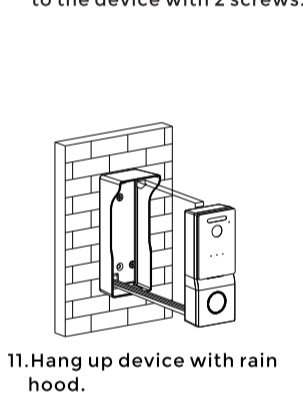
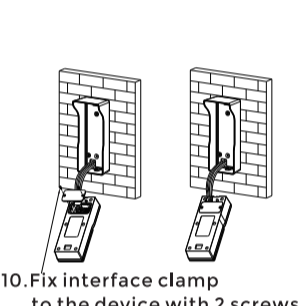
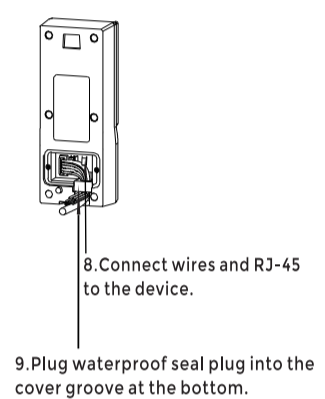
MODEL: C112 (Installation of Rain Hood)



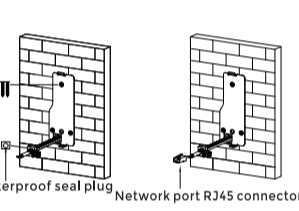
1. Choose the suitable height of camera, and put the label sticker on the wall.
2. According to the sticker, drill three 8 × 45mm for screws and one 5mm for wire outlet.
3. Insert 3 screw fixing seats into the screw holes.
4. Remove the sticker after drilling.



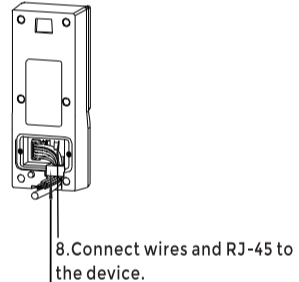
5. Lock the rain hood or bracket with 3 screws.
6. Let wires (included) and network cable without RJ-45 plug go through rain hood and waterproof seal plug.
7. Connect RJ-45 Plug.



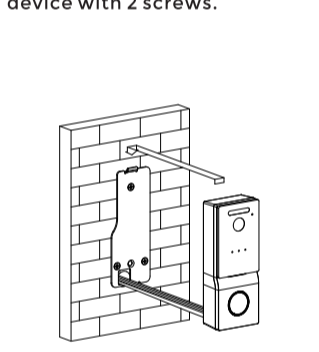
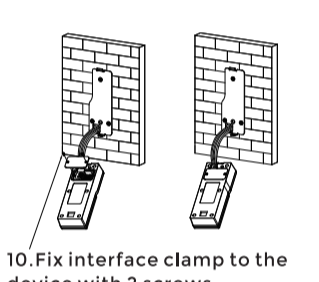
1. Choose the suitable height of camera, and put the label sticker on the wall.
2. According to the sticker, drill three 8 × 45mm for screws and one 5mm for wire outlet.
3. Insert 3 screw fixing seats into the screw holes.
4. Remove the sticker after drilling.



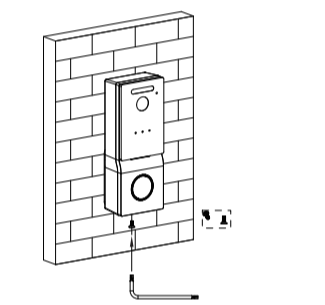
5. Lock the rain hood or bracket with 3 screws.
6. Let wires (included) and network cable without RJ-45 plug go through bracket and waterproof seal plug.
7. Connect RJ-45 Plug.



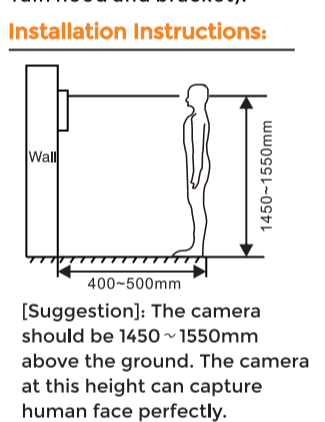
8. Connect wires and RJ-45 to the device.
9. Plug waterproof seal plug into the cover groove at the bottom.



10. Fix interface clamp to the device with 2 screws.
11. Hang up device with bracket.



12. Use wrench to lock the bottom of the device with 1 screw (different screws for rain hood and bracket).



**SAFETY INSTRUCTIONS**

In order to protect you and others from harm or your device from damage, please read the following information before using the device. Do not install the device in the following places:  
 ■ Do not install the device in high-temperature and moist environment or the area close to magnetic field, such as the electric generator, transformer or magnet.  
 ■ Do not place the device near the heating products such as electric heater or the fluid container.  
 ■ Do not place the device in the sun or near the heat source, which might cause discoloration or deformation of the device.  
 ■ Do not install the device in an unstable position to avoid the property losses or personal injury caused by the falling of device.  
 Guard against electric shock, fire and explosion:  
 ■ Do not use damaged power cord, plug or loose outlet.  
 ■ Do not touch the power cord with wet hand or unplug the power cord by pulling.  
 ■ Do not bend or damage the power cord.

**SAFETY INSTRUCTIONS**

■ Do not touch the device with wet hand.  
 ■ Do not make the power supply slip or cause the impact.  
 ■ Do not use the power supply without the manufacturer's approval.  
 ■ Do not have the liquids such as water go into the device. Clean Device Surface  
 ■ Clean the device surfaces with soft cloth dipped in some water, and then rub the surface with dry cloth.  
 Other Tips  
 ■ In order to prevent damage to the paint layer or the case, please do not expose the device to chemical products, such as the diluent, gasoline, alcohol, insect-resist agents, opacifying agent and insecticide.  
 ■ Do not knock on the device with hard objects.  
 ■ Do not press the screen surface. Overexertion might cause flopper or damage to the device.  
 ■ Please be careful when standing up from the area under the device.  
 ■ Do not disassemble, repair or modify the device at your own

**SAFETY INSTRUCTIONS**

■ The arbitrary modification is not covered under warranty. When any repair required, please contact the customer service center.  
 ■ If there is abnormal sound, smell or fume in the device, please unplug the power cord immediately and contact the customer service center.  
 ■ When the device isn't used for a long time, the adaptor and memory card can be removed and placed in dry environment.  
 ■ When moving, please hand over the manual to new tenant for proper usage of the device.

**FCC WARNING**

This device complies with Part 15 of the FCC Rules. Operation is subject to the following two conditions:  
 (1) This device may not cause harmful interference, and (2) this device must accept any interference received, including interference that may cause undesired operation.  
**NOTE 1:** This equipment has been tested and found to comply with the limits for a Class B digital device, pursuant to part 15 of the FCC Rules. These limits are designed to provide reasonable protection against harmful interference in a residential installation. This equipment generates uses and can radiate radio frequency energy and, if not installed and used in accordance with the instructions, may cause harmful interference to radio communications. However, there is no guarantee that interference will not occur in a particular installation. If this equipment does cause harmful interference to radio or television reception,

**FCC WARNING**

which can be determined by turning the equipment off and on, the user is encouraged to try to correct the interference by one or more of the following measures:  
 - Reorient or relocate the receiving antenna.  
 - Increase the separation between the equipment and receiver.  
 - Connect the equipment into an outlet on a circuit different from that to which the receiver is connected.  
 - Consult the dealer or an experienced radio/TV technician for help.  
**NOTE 2:** Any changes or modifications to this unit not expressly approved by the party responsible for compliance could void the user's authority to operate the equipment.

V 1.4  
60011015304

**EASY & SMART INTERCOM SOLUTIONS**